



SRZ40

Helical Flow Meter for the Automotive Industry

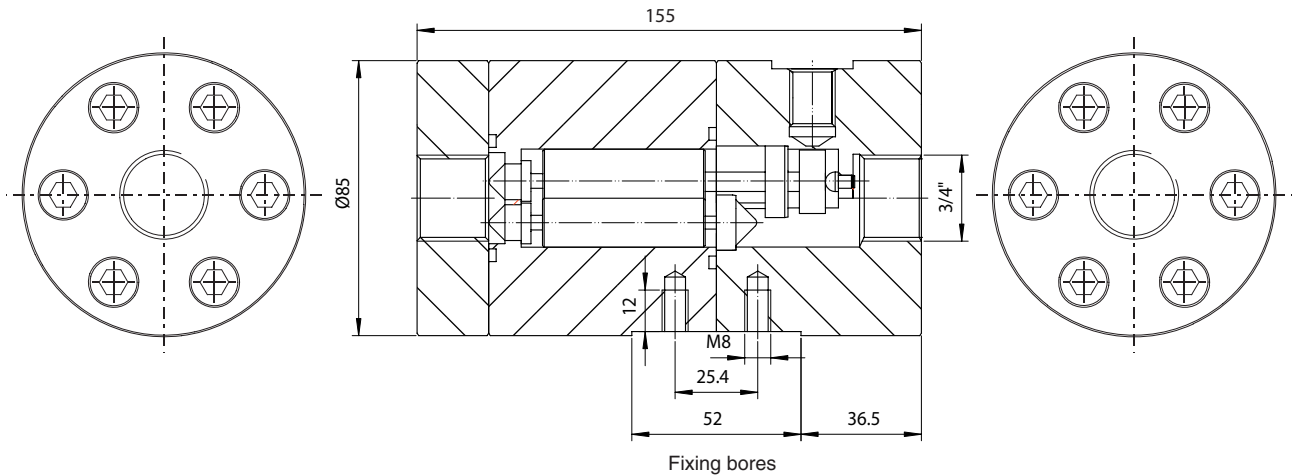


Technical Data SRZ40

Measuring range: 0.4 up to 40 l/min
Pulse rate: 7,000 pulses per litre
Linearity: $\pm 0.5\%$ of actual flow at 30 mm²/s or higher
 $\pm 0.25\%$ of actual flow at 100 mm²/s or higher
Repeatability: $\pm 0.1\%$
Operating pressure: PN 16/40 up to PN 400
Operating temperature: . . . up to +70°C
Materials: SS 303 or SS316Ti/SS316L

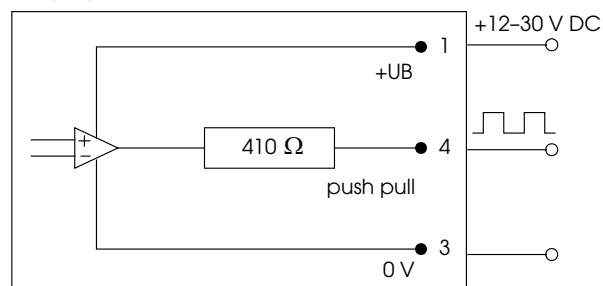
Measuring ranges are valid for viscosities of 30 mm²/s, K-factors and frequencies are average values – individual values are included in calibration records.

SRZ40 Cross section drawing

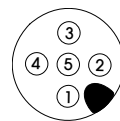


SRZ40 Electrical Data

Supply voltage: 12 up to 30 VDC
 Output: Push pull, squarewave signal
 I_{out} max. 20 mA
 Duty cycle 1:1



Electrical connection: flange plug type 713 (M12x1)
 1 = +UB 12 up to 30 VDC
 2 = nc
 3 = 0 V
 4 = push pull out, double frequency
 5 = PE



Ingress protection: IP 67